





## WARNING



**Danger!** When opening up the tool live components and connections are exposed. Therefore, before opening it, disconnect all poles from the mains.



Incorrect installation and use of hot air tools can present a **fire and explosion hazard**.



## CAUTION



The **voltage rating** stated on the tool should correspond to the mains voltage.



Do not touch the element housing and nozzle when hot as they can cause **burns**. Do not point the hot air flow at people or animals.



Protect tool from **damp and wet**.



The equipment should not be operated **without supervision**.

## TEST SIGNS

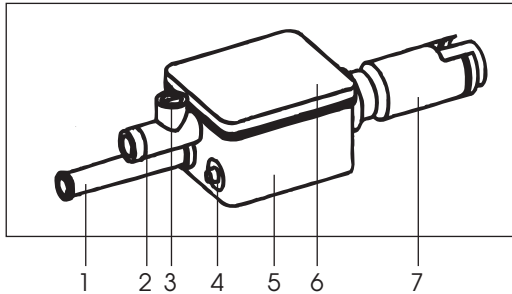


Electrical safety  double insulated

## TECHNICAL DATA

Order No.		8D9	8D10
Voltage	V~	120	220–230
Frequency	Hz		50 / 60
Capacity	W	550	700
Minimum air flow	l/min.	60	80
Maximum temperature	°C	600	600
Ambient temperature	°C		<60
Weight	kg		0,26
Size (L x B x H)	mm		191 x 63 x 46

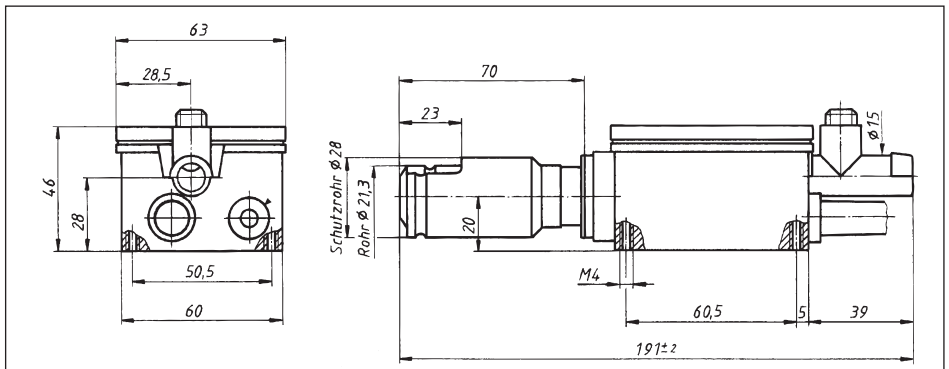
**Description of tool**



1. Strain relief bushing for cord to mains
2. Air intake connection
3. Screw for reducing air flow
4. Potentiometer for temperature adjustment
5. Tool housing
6. Cover for housing
7. Element housing with protective tube

**Installation**

- The tool should be fixed by using four M4 screws on the **tool housing (5)**.
- When installing the tool, ensure that
  - only cold air is sucked in
  - no (warm air) back pressure develops
  - the hot air tool is not in direct line of another hot air tool.
- Protect the tool from vibration and shock.
- Installation dimensions in mm



**Air supply**

- LEISTER blowers should be used for the air supply (pay attention to the direction of rotation and electrical connection).
- For use in a dusty environment the tool should be fitted with a LEISTER stainless steel filter on the air intake connection. Where a particularly critical dust problem exists (eg metal, electrically charged or damp dust) special filters must be used to avoid short circuiting the tool.
- The hot air tool should only be supplied with air up to a max. 50°C.
- The minimum air flow must be observed (see page 2).

## Operation

- Connect tool to the mains.
- The mains connection cord should have the corresponding cross section area of conductor and should be fitted by an electric engineer.
- As required, push-fit appropriate nozzle or reflector.
- Adjust the hot air temperature via the **Potentiometer (4)**.
- As required, reduce the air flow with the regulating **screw (3)**.
- Make sure that the hot air can flow freely (fire hazard).
- The LEISTER Company, as well as the authorized Sales and Service Centres, offer advice and an introduction to the areas of application of hot air tools, free of charge (see page 1).
- After use, let the tool cool down by letting cold air flow through it (preventing warm air back pressure).

### CAUTION:

- ✱ The mains connection must have a **device for disconnect all poles from the mains** with a **3 mm distance between contacts**.
- ✱ *In the event of functional interference (eg caused by the atmosphere disturbance or voltage fluctuations) the **minimum air flow** (page 2) should be adhered to, otherwise the tool could be damaged.*

## ACCESSORIES

- Only LEISTER accessories must be used.
- Let the tool cool down before changing the nozzle or reflector.

## SPECIAL FEATURES

- Temperature adjustment with external potentiometer.
- Temperature control signal with external control voltage (VDC).
- Temperature control with additional LEISTER cascade controller (KSR) should only be fitted and adjusted by the LEISTER Company.

## SERVICE AND REPAIR

- Repairs have to be carried out by authorised **LEISTER Service Centres** only. They guarantee a specialized and reliable **repair service within 24 hours** using original LEISTER spare parts.

## GUARANTEE AND LIABILITY

- Guarantee and liability are in accordance with the guarantee certificate as well as with the currently valid general business and sales conditions.
- LEISTER Process Technologies rejects any guarantee claims for tools which are not in their original condition. The tools must never be altered or changed.

**Technical data and specifications are subject to change without prior notice.**

**Your authorized Service Centre is:**