

## LEISTER LE 3000

### Electric Hot Air Tool



Please read operating instructions carefully before use and keep for further reference.

#### APPLICATION

- The LEISTER Hot Air Tool type 3000 is suitable for building into machines, installations or appliances and is designed for continuous operation.
- **Drying and heating processes** of various types.
- **Shrinking and welding** packaging films and moulded parts.
- **Heating** conveyour ovens or heat tunnels.
- **Activating and loosening** solvent free adhesives and melt adhesives.
- **Sterilizing** packaging materials such as bottles, corks and containers.
- **Smoothing** the coating on pills, putting a **shine** on chocolates and cosmetic articles.
- **Separating and fusing** synthetic fibres and fabrics.
- **Soldering processes** on thin metal parts.
- **Soldering and de-soldering** SMD and thru-hole components.
- **Speeding up** mixing processes and **dissolving** foams which can arise during mixing and filling operations.
- **Welding** thermoplastic materials.
- **Removing** plastic mould flash and putting a **shine** on plastic surfaces.





## WARNING



**Danger!** When opening up the tool, live components and connections are exposed. Therefore, before opening it, unplug the tool to ensure disconnection from the mains.



Incorrect installation and use of hot air tools can present a **fire and explosion hazard**. The specified minimum air flow must be absolutely adhered to.



Do not touch the element housing and nozzle when they are hot as they can cause **burns**. Let the tool cool down. Do not point hot air flow in the direction of people or animals.



## CAUTION



The **voltage rating** stated on the tool should correspond to the mains voltage.



Protect the tool from **damp** and **wet**.



The equipment should not be operated **without supervision**.

## TEST SIGNS

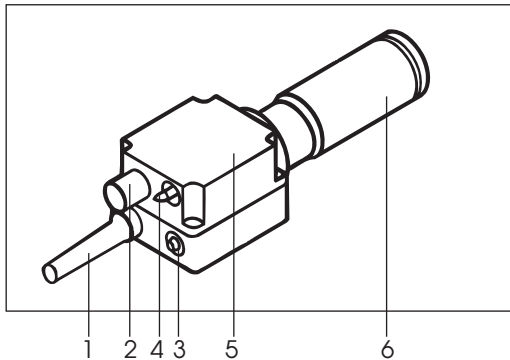


## TECHNICAL DATA

Electrical safety:  **DOUBLE INSULATED**

Voltage	V~	220–230	120
Frequency	Hz	50 / 60	
Capacity	W	3000	2200
Minimum air flow	l/min	300	200
Maximum temperature	°C	650	650
Ambient temperature	°C	<60	<60
Weight	kg	0,5	0,5
Size	mm	227 x 70 x 58	

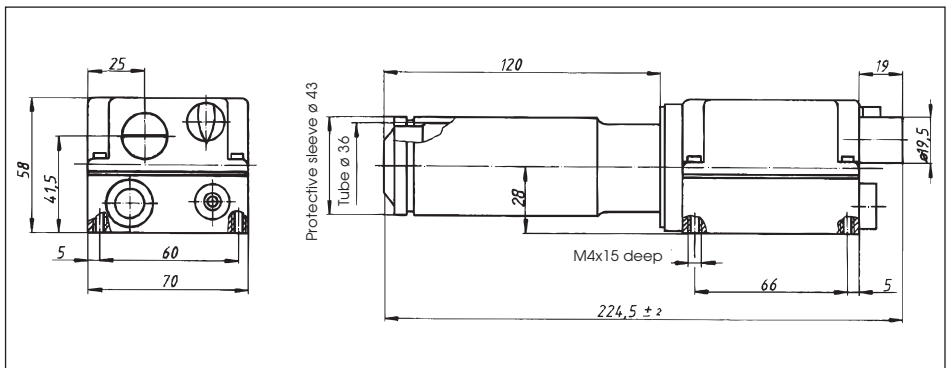
### Description of tool



1. Protective sleeve for cable to mains
2. Air intake connection  $\varnothing 19.5$
3. Potentiometer for temperature adjustment
4. Air regulating knob
5. Connection housing
6. Element housing with protective sleeve

### Installation

- The tool should be fixed by using four M4 screws on the **connection housing (5)**.
- When installing the tool, ensure that:
  - only cold air is sucked in
  - no (warm air) back pressure develops
  - the hot air tool is not in direct line of another hot air tool.
- Protect the tool from vibration and shock.
- Installation dimensions in mm



### Air supply

- LEISTER blowers must be used for the air supply (pay attention to the direction of rotation and the electrical connection).
- For use in a dusty environment the tool should be fitted with a LEISTER stainless steel filter on the air intake connection. Where a particularly critical dust problem exists (eg metal, electrically charged or damp dust) special filters must be used to avoid short circuiting the tool.
- The hot air tool should only be supplied with air up to a max. 50°C.
- The minimum air flow must be observed (see page 2).

## Operation

- Connect tool to the mains.
- The mains connection cable should have the corresponding cross section area of conductor and should be fitted by a specialist.
- As required, push-fit appropriate nozzle or reflector.
- Adjust the hot air temperature via the **potentiometer (3)**.
- As required, reduce the air flow with the **air regulating knob (4)**.
- Make sure that the hot air can flow freely (fire hazard).
- The LEISTER Company, as well as the authorized Sales and Service Centres, offer advice and an introduction to the areas of application of hot air tools, free of charge (see page 1).
- After use, allow the tool to cool down by letting cold air flow through it (preventing warm air back pressure).

## CAUTION:

- ★ *The mains connection should have a suitable **double pole isolator** with a **3 mm distance between contacts**.*
- ★ *In the event of functional interference (eg caused by atmospheric disturbance or voltage fluctuations) the **minimum air flow** (page 2) must be adhered to, otherwise the tool could be damaged.*

## ACCESSORIES

- Only LEISTER accessories should be used.
- Let the tool cool down before changing the nozzle or reflector.

## SPECIAL FEATURES

- Temperature adjustment by external potentiometer.
- Temperature control by external DC voltage (VDC).
- Temperature control by additional LEISTER cascade controller (should only be fitted and adjusted by the LEISTER Company).

## SERVICE AND REPAIR

- Repairs should only be carried out by authorized **LEISTER Service Centres** using original spare parts. They guarantee a specialized and reliable **Repair Service within 24 hours**.

## GUARANTEE AND LIABILITY

- Guarantee and liability are in accordance with the guarantee certificate as well as with the currently valid general business and sales conditions.
- LEISTER Process Technologies rejects any guarantee claims for tools which are not in their original condition. The tools must never be altered or changed.

**Technical data and specifications are subject to change without prior notice.**

**Your authorized Service Centre is:**

**LEISTER Process Technologies, Riedstrasse, CH-6060 Sarnen / Switzerland**  
Tel. +41 41 662 74 74 Fax +41 41 662 74 16 [www.leister.com](http://www.leister.com) [sales@leister.com](mailto:sales@leister.com)