

Leister AIRPACK High Pressure Blower

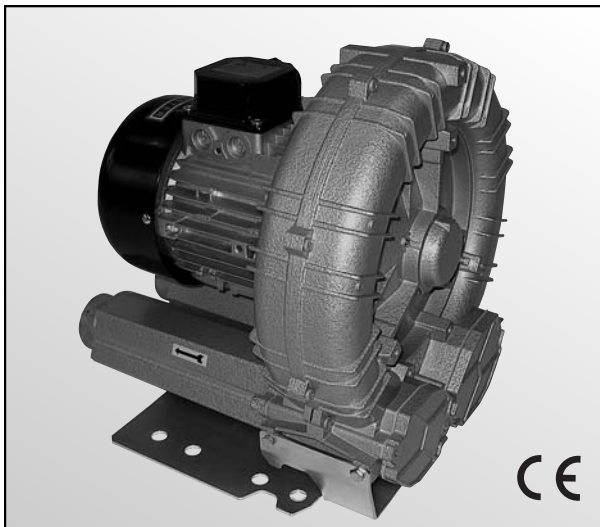


Please read operating instructions carefully before use and keep for further reference.

APPLICATION

The Leister High Pressure Blower AIRPACK is suitable for building into machines, installations and appliances and is designed for maintenance-free continuous operation.

- It is suitable for delivering air in non explosive zones, for non combustible, non corrosive and non explosive gases.
- **Air supply for Leister Hot-Air Tools**, for fresh air supply and for cooling.
- **Ventilation** of tanks, aquariums and different applications for textile machines.
- **Drawing off** of welding gases and fumes.
- **Transfer** of granular and loose materials.
- **Vacuuming** for silk screen printing machines and air tables.





WARNING



Electric shock! Disconnect any pole of the tool from line/mains before opening it as live components and connections are exposed.



Fire hazard! The blower's surface temperatures can exceed 80°C. Do not let anything get in contact with it or connect any parts to it.



CAUTION



The **voltage rating** stated on the tool must correspond to the line/mains voltage. The blower should only be connected and operated by qualified staff.



The tool must be grounded/earthed by using a protective conductor.



Use a protective motor switch.



Pay attention to the direction of rotation.



Protect the tool from damp and wet.

APPROVAL MARKS



TECHNICAL DATA

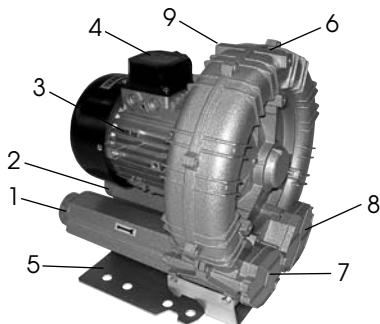
Design

Side channel compressor

		Δ	Δ	Y	Y
Connection scheme		3 × 230	3 × 265	3 × 400	3 × 460
Voltage rating (+/- 10 %)	V~				
Frequency	Hz	50	60	50	60
Power consumption	W	2200	2200	2200	2200
Current rating	A	9	9	5.2	5.2
Max. Airflow	l/min.	3900	4500	3900	4500
Static Pressure	Pa	30000	30000	30000	30000
Noise emission level	L _{pA} (dB)		73		73
Environmental protection (IEC 60529)		IP 54		IP 54	
Diameter of air intake (external ø)	mm	ø 60		ø 60	
Diameter of air outlet (external ø)	mm	ø 60		ø 60	
Ambient temperature	°C	< 40		< 40	
Weight	kg	26		26	
Size (L x W x H)	mm	373 × 327 × 365		373 × 327 × 365	

Description of tool

1. Air outlet flange $\varnothing 60$
2. Air intake flange $\varnothing 60$ with integrated mesh
3. Motor
4. Electric connection box
5. Installation stand
6. Compressor housing
7. Alternativ position for air outlet
8. Alternativ position for air intake
9. Lifting point

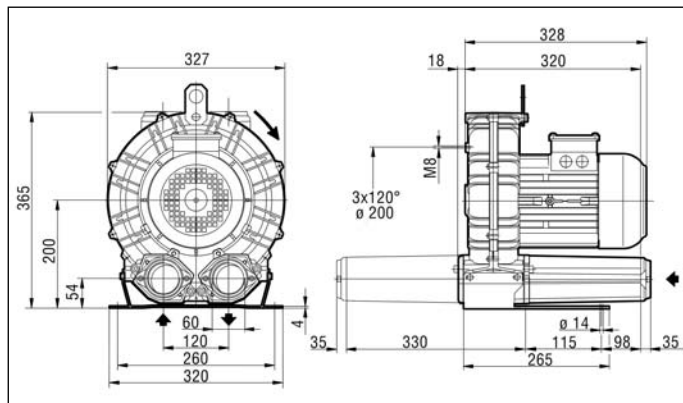


Conditions of operation

- The AIRPACK blower should be fixed to the **installation stand (5)** by using four M12 screws. The tool can be installed horizontally or vertically.
- Protect the tool from vibration and shock.

- Important:**
- The blower must not be operated with the air intake or outlet hose connection blocked off. By throttling down the airflow, compression heat will develop, which will cause the blower and air hose to heat up. Use heat resistant or metal hose only. Connect the hose with cable clamps to the **flange (1 and 2)**.
 - Operate the blower by using a protective motor switch only. Do not exceed the rated current (see nameplate).

- Installation dimensions in mm



Circuit diagram in connection box (4)

Δ	Y
50 Hz 230 V 60 Hz 265 V	50 Hz 400 V 60 Hz 460 V
W2 U2 V2	W2 U2 V2
U1 V1 W1	U1 V1 W1
L1 L2 L3	L1 L2 L3

Operation

- The acceptable ambient and air intake temperatures are from -15°C to $+40^{\circ}\text{C}$. Ensure a good room ventilation.
- For use in a dusty environment, a Leister stainless steel filter (Order No.110.895) should be fitted onto the **air intake (2)**.
- The blower should be connected by qualified staff. **Pay attention to the direction of rotation!**
- The appropriate connections should be made in the **connection box (4)** according to the voltage. Connect the protective conductor to the ground/earth terminal, measure the ground/earth resistance.

ACCESSORIES

- Use only Leister accessories.

MAINTENANCE

- The stainless steel filter and mesh in the **air intake flange (2)** should be cleaned when dirty, otherwise the **motor (3)** can overheat. The integrated mesh may be removed for cleaning from the **air intake flange (2)** by unscrewing the two M6 screws.

SERVICE AND REPAIR

- Repairs should only be carried out by authorised **Leister Service Centres**. They guarantee a specialised and reliable **Repair Service within 24 hours** using original spare parts lists.

GUARANTEE AND LIABILITY

- Guarantee and liability are in accordance with the guarantee certificate as well as with the currently valid general business and sales conditions.
- Leister Process Technologies rejects any guarantee claims for tools which are not in their original condition. The tools must never be altered or changed.

Technical data and specifications are subject to change without prior notice.

Your authorised Service Centre is: