

# LHS 40: The hot mid-range models.

The «40» design line operates within the power range 2 – 4 kW. They are available as single-phase versions in the voltage range 100 – 230 V, and also as the three-phase version 40L for the voltage range 3 x 230 to 3 x 400 V. Air inlet and air outlet connections are compatible with the predecessor heater type LE 3300 and its accessories.

Air heater

## LHS CLASSIC 40S / 40L



Air heater

## LHS PREMIUM 40S / 40L



Air heater

## LHS SYSTEM 40S / 40L



### Technical data LHS 40S / 40L

	CLASSIC	PREMIUM	SYSTEM
Max. air outlet temperature °C	600	650	650
Min. air flow acc. to graph page 9			
Max. air inlet temperature °C	80	80	80
Max. ambient temperature °C	65	65	65
Weight g			
40S	850	850	850
40L	950	950	950
Mark of conformity	CE	CE	CE
Approval mark	Ⓢ	Ⓢ	Ⓢ
Certification scheme	CCA	CCA	CCA
Protection classe II	Ⓜ	Ⓜ	Ⓜ

### 40S

	120		230	
	2	2	3.6	
Power consumption kW				
<b>CLASSIC</b> Order no.	118.576	118.578	132.422	
<b>PREMIUM</b> Order no.	125.873	125.875	132.035	
<b>SYSTEM</b> Order no.	125.964	125.966	132.385	

### 40L

	3 x 230		3 x 400	
	2	4	2	4
Power consumption kW				
<b>CLASSIC</b> Order no.	118.580	118.581	118.582	118.583
<b>PREMIUM</b> Order no.	125.878	125.881	125.879	125.882
<b>SYSTEM</b> Order no.	125.969	125.972	125.970	125.973

### Combination possibilities

- Leister air heater at maximum heat power and without nozzle with Leister blower at 50 Hz, 1.5 m hose length and unimpeded air outflow.
- Hot-air temperature 3 mm after air outlet, measured at the hottest point.
- Air flow in NI/min = standard litres / min compliant with DIN 1343.

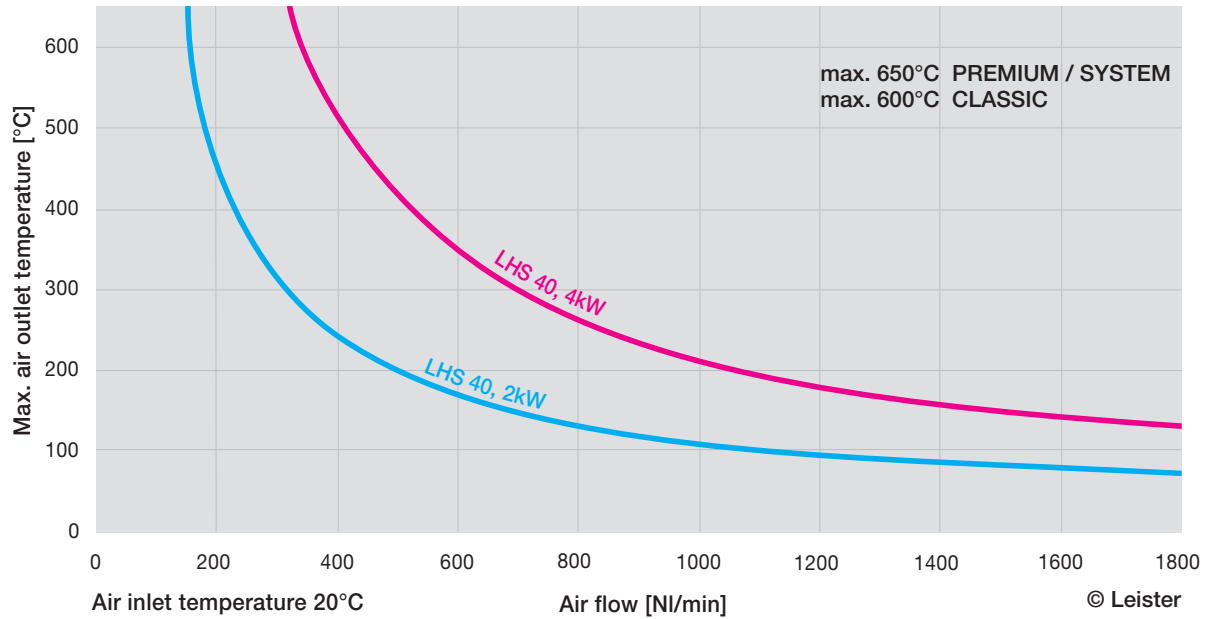
Blower Type	Number LHS 40S × Power consumption kW	LHS 40S Air flow NI/min	LHS 40S Temperature °C
ROBUST	1 × 2.0	1 × 840	200
ROBUST	2 × 2.0	2 × 480	300
ROBUST	4 × 2.0	4 × 250	450
ROBUST	1 × 4.0	1 × 810	370
ROBUST	2 × 4.0	2 × 470	540
SILENCE	1 × 2.0	1 × 510	280
SILENCE	2 × 2.0	2 × 460	290
SILENCE	4 × 2.0	4 × 380	300
SILENCE	1 × 4.0	1 × 440	600
SILENCE	2 × 4.0	2 × 410	600
SILENCE	4 × 4.0	4 × 330	600
ASO	4 × 2.0	4 × 500	230
ASO	4 × 4.0	4 × 480	450

Blower Type	Number LHS 40L × Power consumption kW	LHS 40L Air flow NI/min	LHS 40L Temperature °C
ROBUST	1 × 2.0	1 × 890	210
ROBUST	2 × 2.0	2 × 510	310
ROBUST	4 × 2.0	4 × 270	470
ROBUST	1 × 4.0	1 × 810	390
ROBUST	2 × 4.0	2 × 450	560
SILENCE	1 × 2.0	1 × 567	295
SILENCE	2 × 2.0	2 × 453	320
SILENCE	4 × 2.0	4 × 368	330
SILENCE	1 × 4.0	1 × 410	620
SILENCE	2 × 4.0	2 × 400	620
SILENCE	4 × 4.0	4 × 330	630
ASO	4 × 2.0	4 × 500	270

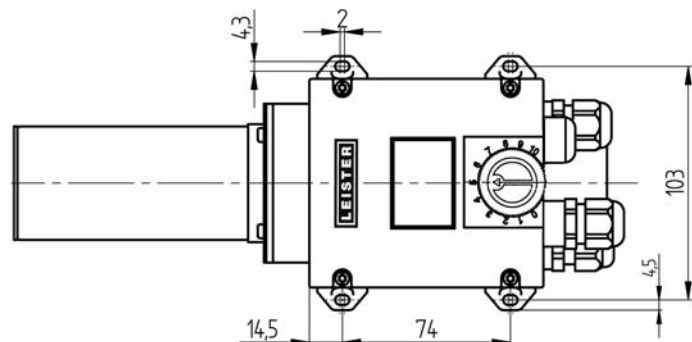
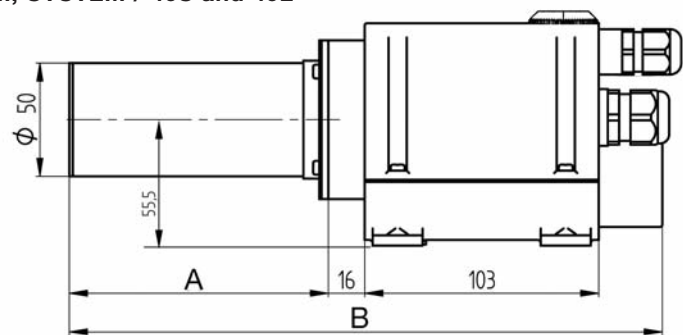
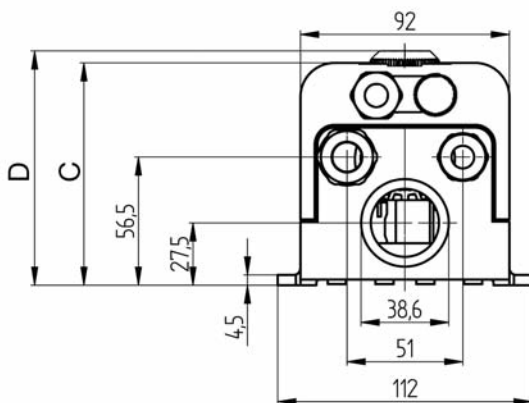
Air flow and temperature specifications may deviate from ideal values due to modifications of the hot-air system (nozzles, hose length, etc.).

LHS CLASSIC	LHS PREMIUM	LHS SYSTEM
Heating power not adjustable	Heating power steplessly adjustable with potentiometer	Heating power steplessly adjustable with potentiometer or remote control interface
Detection of heating element and device overheating with alarm output	Protection against heating element and device overheating with alarm output	Protection against heating element and device overheating with alarm output
		Remote control interface for CSS, CSS EASY temperature controllers or external PLC control 4–20 mA / 0–10 V, galvanically isolated.

### LHS 40



### Installation dimensions in mm LHS CLASSIC, PREMIUM, SYSTEM / 40S and 40L



Type	A	B	C	D
LHS CLASSIC 40S	99	246	98	
LHS CLASSIC 40L	129	276	98	
LHS PREMIUM 40S	99	246		103
LHS PREMIUM 40L	129	276		103
LHS SYSTEM 40S	99	246		103
LHS SYSTEM 40L	129	276		103

## Temperature controller

### CSS EASY



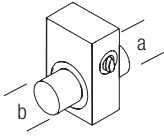
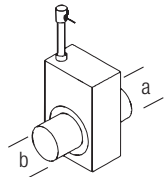
## Temperature controller

### CSS





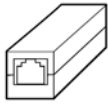


Technical data	CSS EASY	CSS
Suitable for LEISTER air heaters	LHS SYSTEM	LHS SYSTEM Universally deployable temperature regulator
Regulation type	PID	PID
Ready to use with preconfigured parameter set	•	• (for LHS SYSTEM)
Configuration with PC and programming cable (see Accessories)	•	•
Accuracy	Accuracy better than 0.2% of scale value at 25 °C	Accuracy better than 0.2% of scale value at 25 °C
Switchover °C °F	Configurable via keypad	Configurable via keypad
Temperature sensor / input	Type K / socket	Type K, PT100, screw connectors
Alarm output	2 alarms independently configurable Output at 2 floating relay contacts Output at 2 floating relay contacts	2 alarms independently configurable Output at 2 floating relay contacts Screw connectors
Connection to air heater	RJ-45 socket for Leister Control Cable (see Accessories)	Screw connectors
Voltage	100 – 240 VAC, max. 8VA	100 – 240 VAC, max. 8VA
Mains connection lead	2 m, with Euro plug	Without lead, screw connectors
Mechanics	Regulator built into housing, ready to operate, can also be integrated into the front panel, with cut-out 67 × 67 mm	Regulator for front panel integration, with cut-out 45 × 45 mm
Size L × W × H	175 × 72 × 72 mm	109 × 48 × 48 mm
Weight kg	0.45	0.2
Mark of conformity	CE	CE
Protection classe II	□	□
Order no.	125.944	123.039

### Air flow adjuster and on/off switch

108.755		<p>Hand operated air flow adjuster and on/off switch. Size 214 × 88 × 133 mm a = 40 mm, b = 38 mm</p> <p>&gt; LHS 40</p>
107.299		<p>Air flow off/on switch The air flow is interrupted on command (pneumatic 5 bar) to the heaters. Size 214 × 88 × 133 mm a = 40 mm, b = 38 mm</p> <p>&gt; LHS 40</p>

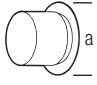
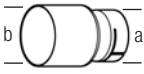
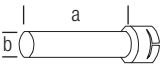
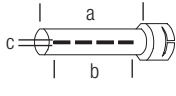
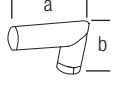
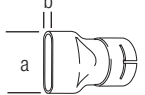
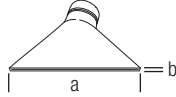

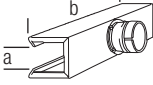
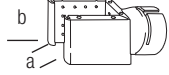

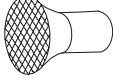
### Accessories CSS, CSS EASY

106.956		<p>Thermocouple with plug, 1 m cable</p> <p>&gt; CSS &gt; CSS EASY</p>
106.958 106.960 106.962		<p>Thermocouple extension cable with plug and connection 2 m 4 m 10 m</p> <p>&gt; CSS &gt; CSS EASY</p>
126.596		<p>Programming cable with connection with DSUB9/V.24 connector for c onfiguration with PC.</p> <p>&gt; CSS &gt; CSS EASY</p>
125.988 125.989		<p>Controller cable RJ 45-connector and cable gland 3 m 5 m</p> <p>&gt; LHS SYSTEM</p>
125.990		<p>Coupler for controller cable</p> <p>&gt; LHS SYSTEM</p>

### Special nozzles on request

If using non-Leister blowers, compressors and accessories no guarantee can be given by us

### Accessories LHS Type 40 (Ø 50 mm)

107.254		<p>Flange connector, push-fit a = 70 mm</p>
122.332 122.924		<p>Nozzle adapter a Ø 50 mm to b Ø 62 mm a Ø 50 mm to b Ø 36.5 mm</p>
107.255		<p>Extension nozzle, push-fit (a × b) 160 × 36.5 mm</p>
105.950 107.257 105.955 105.952 105.956		<p>Tubular nozzle, push-fit (a × b × c) 460 × 300 × 2 mm 590 × 420 × 1.7 mm 836 × 660 × 1 mm 900 × 800 × 0.9 mm 1000 × 820 × 0.9 mm</p>
107.256		<p>Angled nozzle, push-fit (a × b) Ø 50 mm shank length 160 × 100 mm</p>
105.961 107.258		<p>Wide slot nozzle, push-fit (a × b) 45 × 12 mm, length 350 mm 70 × 10 mm</p>
106.057 106.060 107.270 106.061		<p>Wide slot nozzle, push-fit (a × b) 100 × 4 mm 150 × 6 mm 150 × 12 mm, with sieve insert 300 × 6 mm</p>
107.331		<p>Hinged reflector, aufschiebbar (d × b) 70 × 70 mm</p>
107.340		<p>Shell reflector, push-fit (a × b) 45 × 250 mm</p>
107.327 107.333		<p>Sieve reflector, push-fit (a × b) 85 × 85 mm 130 × 150 mm</p>
107.330		<p>Hinged reflector, push-fit (d × b) 125 × 22 mm</p>
106.127		<p>Sieve reflector, push-fit Ø 65 mm</p>