

# High temperature air heater: Our hottest models.

The high temperature air heaters are suitable for temperatures up to 900 °C. The devices have no integrated power electronics. The air temperature is nevertheless steplessly controllable by adding a Leister three-phase controller (DSE). In addition to a DSE, the air temperature can be precisely regulated with a KSR DIGITAL regulator.

## High temperature air heater

### LE 5000 HT (up to 900°C)



#### Combination possibilities

- Leister air heater at maximum heat power and without nozzle with Leister blower at 50 Hz, 1.5 m hose length and unimpeded air outflow.
- hot-air temperature 3 mm after air outlet, measured at the hottest point.
- Air flow in NI/min = standard litres / min compliant with DIN 1343.

Power Typ	Number LE × Power consumption W	Air flow NI/min	Temperature °C
ROBUST	1 × 11000	1 × 800	800
AIRPACK	1 × 11000	1 × 2800	360
AIRPACK	2 × 11000	2 × 1500	550

Air flow and temperature specifications may deviate from ideal values due to modifications of the hot-air system (nozzles, hose length, etc.).

#### Technical data

##### High temperature LE 5000 HT

No integrated power electronics	•
Heating element tube with protective tube	•
Max. air outlet temperature °C	900
Max. air inlet temperature °C	100
Min. air flow l/min.	635
Max. ambient temperature °C	100
Weight kg	2.25
Mark of conformity	CE
Protection classe I	⊕

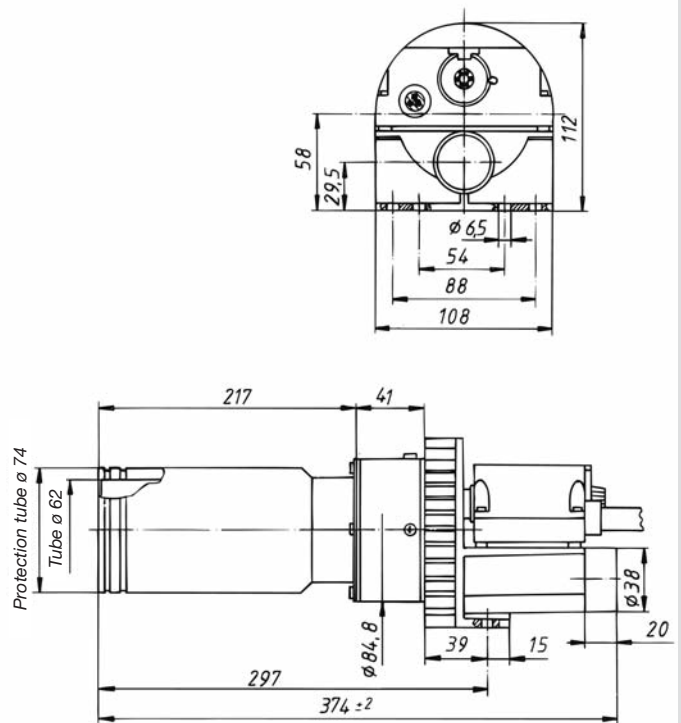
#### Optional power controller

DSE three-phase controller

#### Optional temperature regulation

DSE three-phase controller and KSR DIGITAL temperature regulator

#### Installation dimensions in mm



Voltage V ~	3 × 400
Power consumption W	11
Order no.	108.717

Additional versions on request

## Temperature controller

### KSR DIGITAL



Technical data	KSR DIGITAL
Suitable for LEISTER air heaters	LE 5000 HT
Regulation type	PID
Ready to use with preconfigured parameter set	•
Configuration with PC and programming cable (see Accessories)	
Accuracy	Accuracy better than 0.2% of scale value at 25 °C
Switchover °C °F	Configurable via keypad
Temperature sensor / input	Type K / socket
Alarm output	2 alarms independently configurable Output at 2 floating relay contacts 2mm receptacle
Connection to air heater	Socket, compatible with KSR models
Voltage	100 – 240 VAC, max. 8 VA
Mains connection lead	2 m, with Euro plug
Mechanics	Regulator built into housing, ready to operate,  can also be integrated into the front panel, with cut-out 67 × 67 mm
Size L × W × H	175 × 72 × 72 mm
Weight kg	0.5
Mark of conformity	CE
Protection classe II	□
Order no.	For DSE / HT °C 111.164

## Controller

### Three-phase adjustment unit DSE



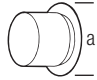
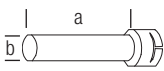
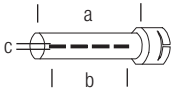
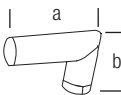

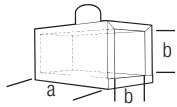
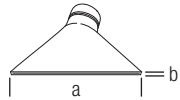
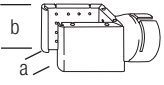
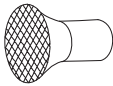
#### Technical data Three-phase adjustment unit DSE

External power electronics module for non-electronic air heaters of series LE 5000 HT




	Potentiometer operation	for KSR DIGITAL
Heating power steplessly adjustable with potentiometer	•	
Remote control interface for KSR DIGITAL temperature regulator or external PLC control 0 – 12 V		•
Size (L × W × H) mm	230 × 165 × 86	
Fixture hole pitch mm	150 × 150	
Mark of conformity	CE	
Protection classe II	⊕	

DSE for	KSR	Potentiometer	KSR
Power supply voltage V ~	3 × 230	3 × 400 – 440	3 × 400 – 440
Max. current A	3 × 20	3 × 20	3 × 20
Order no.	110.574	110.571	110.572

**Accessories LE 5000 HT**  
(Ø 62 mm)

125.317		Flange connector, push-fit a = 90 mm
107.247		Extension nozzle, push-fit (a x b) 200 x 40 mm
105.917 105.907 105.919 107.253 114.136 105.906		Tubular nozzle, push-fit (a x b x c) 303 x 153 x 6 mm 354 x 204 x 4.5 mm 456 x 306 x 3 mm 700 x 550 x 1.7 mm 795 x 655 x 1.5 mm 1100 x 1000 x 4 mm
107.265		Angled nozzle, push-fit (a x b) shank length 120 x 112 mm
107.245		Round nozzle, push-fit d = 40 mm
107.342 106.174 106.175		Shell reflector, push-fit (a x b) 400 x 50 mm 400 x 65 mm 400 x 80 mm
107.260 107.259 105.977 107.263 107.262 105.992 105.991		Wide slot nozzle, push-fit (a x b) 85 x 15 mm 150 x 12 mm 200 x 9 mm 250 x 12 mm 300 x 4 mm 400 x 4 mm 500 x 4 mm
106.143 107.329 107.336		Sieve reflector, push-fit (a x b) 45 x 75 mm 76 x 75 mm 110 x 152 mm
107.335		Sieve reflector, push-fit Ø 150 mm

**Accessories KSR DIGITAL, DSE**

106.956		Thermocouple with plug, 1 m cable  > KSR DIGITAL
106.958 106.960 106.962		Thermocouple extension cable with plug and connection 2 m 4 m 10 m  KSR DIGITAL,
111.331		Controller/extension cable 5 m  > KSR DIGITAL > DSE

**Special nozzles on request**

If using non-Leister blowers, compressors and accessories no guarantee can be given by us