

LE 40000: The powerful air heater.

With up to 39 kW our most powerful device. It is deployed where a large air flow is required at a high temperature. The air heater 40 000 is available in diverse versions, with or without power electronics. The optional KSR DIGITAL regulator allows the air temperature to be regulated.

Air heater

LE 40000



Combination possibilities

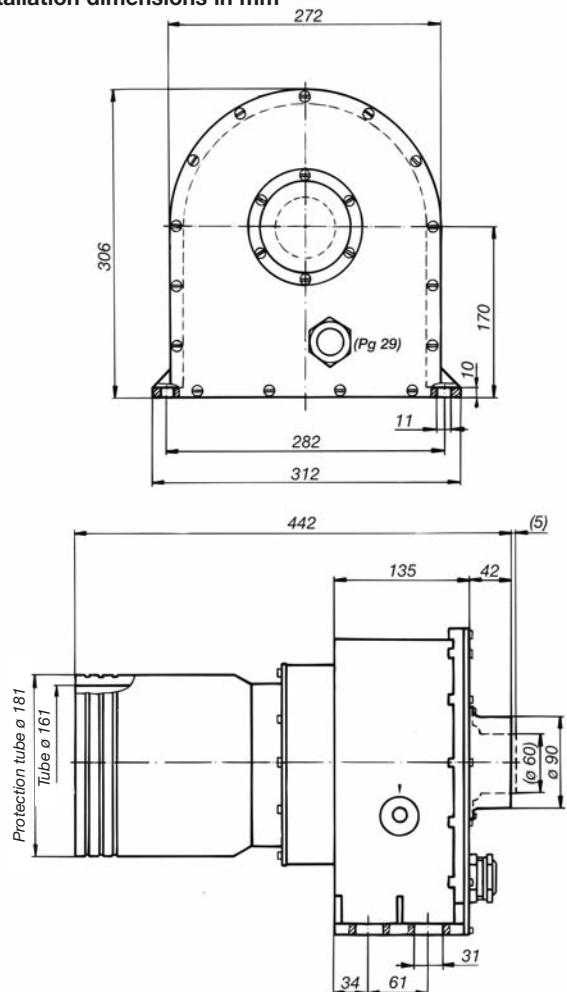
Leister air heater with Leister blower at maximum heat power. hot-air temperature 3 mm after air outlet, measured at the hottest point, at hose length and unimpeded air outflow. Air flow in l/min when air heater is not heated and air inlet is 20 °C.

Power Typ	Number LE × Power consumption W	Air flow NI/min	Temperature °C
ASO	1 × 25 000	1 × 8150	200
ASO	2 × 32 000	2 × 4200	500
AIRPACK	2 × 32 000	1 × 3300	540

Air flow and temperature specifications may deviate from ideal values due to modifications of the hot-air system (nozzles, hose length, etc.).

Technical data LE 40000	Without Electronic	With Electronic	For KSR DIGITAL
Heating power adjustable steplessly adjustable with potentiometer		•	
Thermoswitch for device protection	•	•	•
Integrated heating element protection		•	•
Remote control interface for KSR DIGITAL temperature regulator or external PLC control 0 – 12 V incl. 3 m cable and plug			•
Max. air outlet temperature °C	650	650	650
Min. air flow l/min	3000	2800 – 4000	
Max. air inlet temperature °C	100	80	80
Max. ambient temperature °C	100	80	80
Weight kg	13.2	13.5	13.5
Mark of conformity	CE	CE	CE
Approval mark		Ⓢ	
Protection classe I	⊕	⊕	⊕

Installation dimensions in mm



Voltage V ~	3 × 400 – 440	3 × 400 – 440	3 × 480
Power consumption kW	11 – 13	32 – 39	32
Without Electronic Order no.		100.764	100.766
With Electronic Order no.	100.763	100.168	
For KSR DIGITAL Order no.		110.540	

Additional versions on request



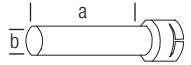
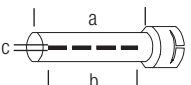
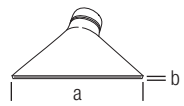

Temperature controller

KSR DIGITAL

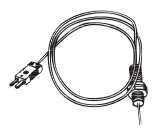




Technical data	KSR DIGITAL
Suitable for LEISTER air heaters	LE 40000, HOTWIND S, VULCAN E
Regulation type	PID
Ready to use with preconfigured parameter set	•
Configuration with PC and programming cable (see Accessories)	
Accuracy	Accuracy better than 0.2% of scale value at 25 °C
Switchover °C °F	Configurable via keypad
Temperature sensor / input	Type K / socket
Alarm output	2 alarms independently configurable Output at 2 floating relay contacts 2mm receptacle
Connection to air heater	Socket, compatible with KSR models
Voltage	100 – 240 VAC, max. 8 VA
Mains connection lead	2 m, with Euro plug
Mechanics	Regulator built into housing, ready to operate, can also be integrated into the front panel, with cut-out 67 × 67 mm
Size L × W × H	175 × 72 × 72 mm
Weight kg	0.5
Mark of conformity	CE
Protection classe II	□
Order no.	For LE 40000, 400 – 440 V / 32 – 39 kW °C 110.362

Accessories LE 40000
(Ø 161 mm)

125.319		Flange connector, push-fit a = 192 mm
107.230		Round nozzle, push-fit d = 100 mm
107.233		Extension nozzle, push-fit (a x b) 400 x 100 mm
107.243 105.869		Tubular nozzle, push-fit (a x b x c) 1500 x 1350 x 4 mm 2000 x 1340 x 4 mm
107.235 107.234 105.856 105.859		Wide slot nozzle, push-fit (a x b) 500 x 15 mm 1200 x 10 mm 1600 x 8 mm 2000 x 10 mm
107.232		Air intake connection screw-on for Ø 60 mm air hose

Accessories KSR DIGITAL

106.956		Thermocouple with plug, 1 m cable KSR DIGITAL
106.958 106.960 106.962		Thermocouple extension cable with plug and connection 2 m 4 m 10 m KSR DIGITAL
111.331		Controller/extension cable 5 m > KSR DIGITAL

Special nozzles on request

If using non-Leister blowers, compressors and accessories no guarantee can be given by us