

LE 5000

The air heater LE 5000 is equipped with a performance range of 4.5 kW at 230 V, of 5.5 kW and 8.5 kW at 400 V, as well as 8.0 kW at 480 V. The air outlet connections are compatible with the successor LHS 60S and its accessories. It is also available as a version for a supply temperature of up to 160°C, and is therefore especially suitable for recycling applications.

Air heater

LE 5000



Combination possibilities

Leister air heater with Leister blower at maximum heat power. Hot-air temperature 3 mm after air outlet, measured at the hottest point, at hose length 3 m and unimpeded air outflow. Air flow in l/min when air heater is not heated and air inlet temp. is 20 °C.

Power Type	Number LE ×	Air flow l/min	Temperature °C
	Power consumption W		
Silence	1 × 5000	1 × 870	560
Silence	2 × 5000	2 × 860	570
Silence	2 × 7500	2 × 1080	580
ASO	4 × 5000	4 × 1100	420
ASO	4 × 8000	4 × 1350	560
AIRPACK	4 × 5000	4 × 800	540
AIRPACK	6 × 5000	6 × 550	600

Air flow and temperature specifications may deviate from ideal values due to modifications of the hot-air system (nozzles, hose length, etc.).

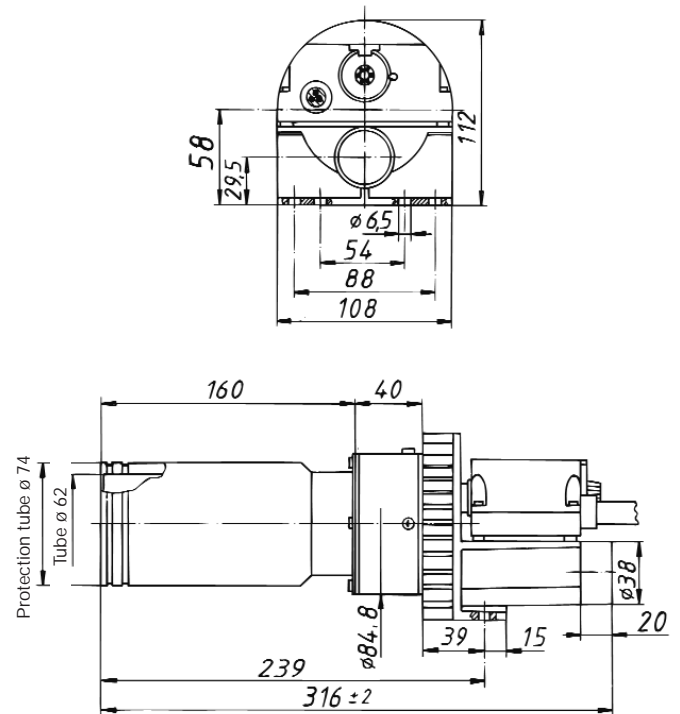
Technical data LE 5000

	Without Electronic	With Electronic	For KSR DIGITAL
Heating power steplessly adjustable with potentiometer		•	
Thermoswitch for device protection		•	•
Integrated heating element protection		•	•
Remote control interface for KSR DIGITAL temperature regulator or external PLC control 2.4 – 5.8 V incl. 5 m cable and plug			•
Max. air outlet temperature °C,	700	700	700
Min. air flow l/min.			
230 V	450	400	400
400 V 5.5 kW	500	500	500
400 V 8.5 kW	700	900	900
480 V	700	900	900
Max. air inlet temperature °C	100	50	50
Max. ambient temperature °C	100	60	60
Weight kg	3.4	3.4	3.4
Mark of conformity	CE	CE	CE
Approval mark		Ⓢ	
Protection classe I	Ⓢ	Ⓢ	Ⓢ

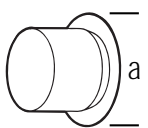
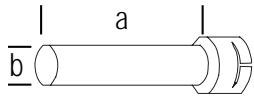
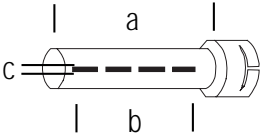
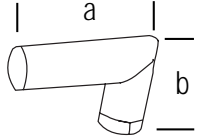
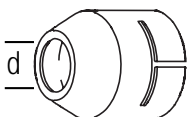
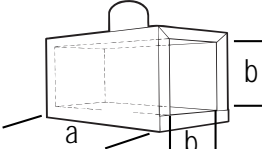
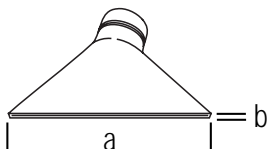
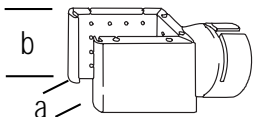
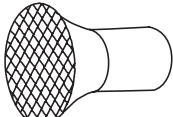
Voltage	V –	230	400	480
Power consumption	kW	4.5	5.5	8.5
Without Electronic	Order no.	102.160	102.180	
With Electronic	Order no.	102.156	102.169	102.174
for KSR DIGITAL	Order no.			112.871
Without Electronic				
Supply air				
max. temp. 160 °C	Order no.		108.718	

Additional versions on request

Installation dimensions in mm



Accessories LHS Type 60S /HOTWIND S / LE 5000 HT
 (Ø 2.44 inch)

125.317		Flange connector, push-fit a = 3.54 inch
107.247		Extension nozzle, push-fit (a × b) 7.87 × 1.57 inch
105.917 105.907 105.919 107.253 114.136 105.906		Tubular nozzle, push-fit (a × b × c) 11.9 × 6.02 × 0.24 inch 13.9 × 8.03 × 0.18 inch 18.0 × 12.0 × 0.12 inch 27.6 × 21.7 × 0.07 inch 31.3 × 25.8 × 0.06 inch 43.3 × 39.4 × 0.16 inch
107.265		Angled nozzle, push-fit (a × b) shank length 4.72 × 4.41 inch
107.245		Round nozzle, push-fit d = 1.58 inch
107.342 106.174 106.175		Shell reflector, push-fit (a × b) 15.7 × 1.97 inch 15.7 × 2.56 inch 15.7 × 3.15 inch
107.260 107.259 105.977 107.263 107.262 105.992 105.991		Wide slot nozzle, push-fit (a × b) 3.35 × 0.59 inch 5.91 × 0.47 inch 7.87 × 0.35 inch 9.84 × 0.47 inch 11.8 × 0.16 inch 15.7 × 0.16 inch 19.7 × 0.16 inch
106.143 107.329 107.336		Sieve reflector, push-fit (a × b) 1.77 × 2.95 inch 2.99 × 2.95 inch 4.33 × 5.98 inch
107.335		Sieve reflector, push-fit Ø 5.91 inch