

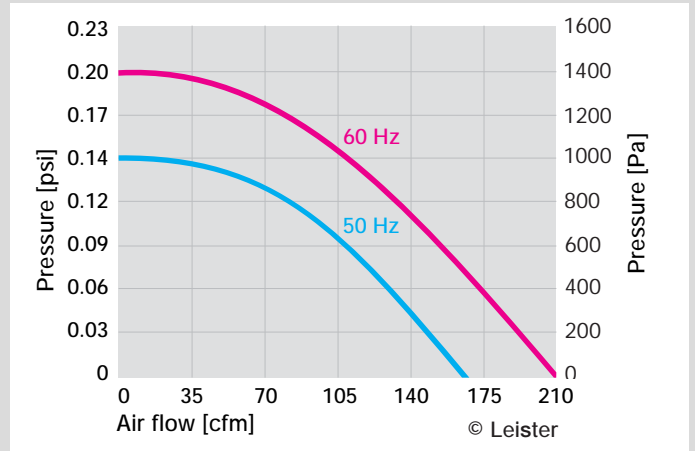
# SILENCE: The Quieter Option.

No blower no air! In industrial processes a blower often supplies several air heaters in parallel. It excels through its high power and compact design. The durable and maintenance-free blowers are a result of uncompromising quality standards and decades of experience.

The mid-range blower SILENCE is very quiet in operation at 61 dB(A). It delivers high air flows and can be installed in all orientations.

## Medium Pressure Blower

### SILENCE

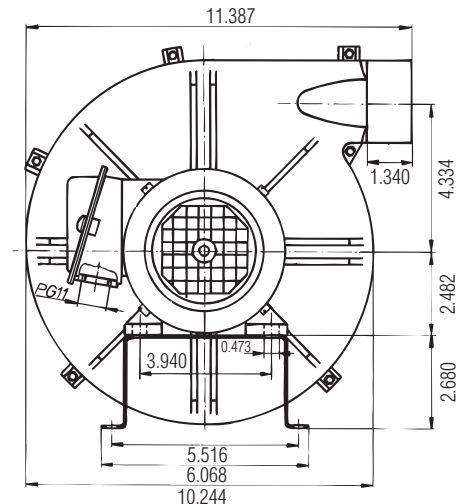
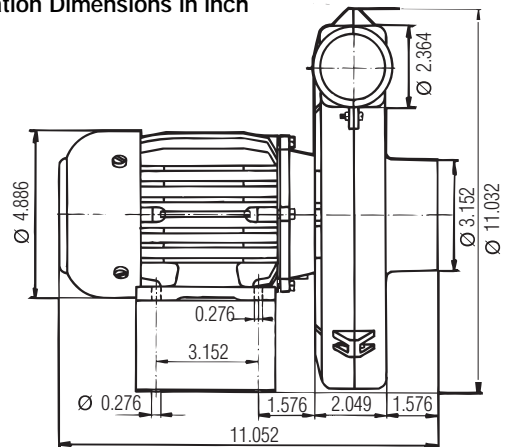


#### Technical Data SILENCE

Design radial blower

Frequency	Hz	50	60
Air flow (68 °F)	cfm	166	212
Static pressure	psi	0.15	0.20
Max ambient temperature	°F	140	140
Noise emission level	LpA (dB)	61	61
Environmental protection (IEC 60529)		IP 54	IP 54
Outside diameter air inlet	inch	Ø 3.15	Ø 3.15
Outside diameter air outlet	inch	Ø 2.36	Ø 2.36
Weight	lb	19.8	19.8
Mark of conformity		CE	CE
Protection classe I		⊕	⊕

#### Installation Dimensions in inch

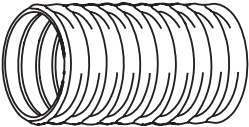


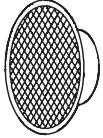
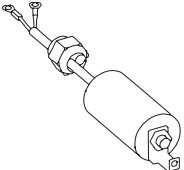
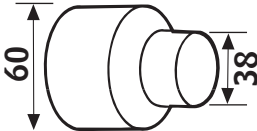
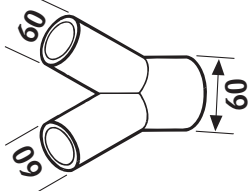
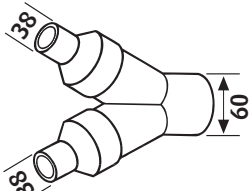
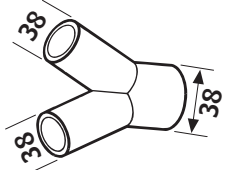


Voltage	V~ 50Hz	1 × 230	3 × 230 / 400	3 × 500
	60Hz			3 × 440 – 480
Power consumption	W	250	250	250
<b>Without cable</b>	Order no.		103.507	103.513
<b>9.84 ft cable / Euro plug</b>	Order no.	103.510		

Additional versions on request

# Accessories Medium Pressure Blower SILENCE

(Ø 2.36 inch)

107.288		PVC air hose Ø 2.36 inch
107.287		Hose clip for Ø 2.36 inch air hose
107.240		Closing cap Ø 2.36 inch attachable to hose connection adaptor 107.238 and 107.278
107.294		Stainless steel filter, push-fit on air intake
110.887		Motor capacitor 230 V
107.291		Hose connection adaptor with 1 air outlet for Ø 1.50 inch hose. Push-fit on air outlet
107.278		Hose connection adaptor, Push-fit on air outlet
107.292		Hose connection adaptor with 2 air outlets for Ø 1.50 inch hose. Push-fit on air outlet
107.293		Hose connection adaptor, Push-fit on adaptor 107.292