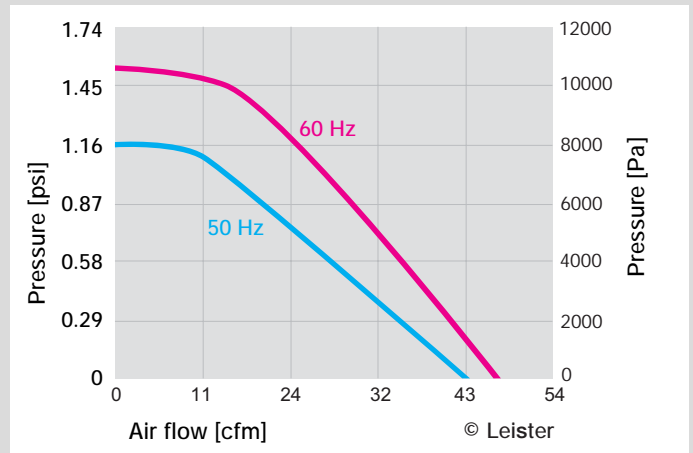


ROBUST: The Name Speaks for Itself.

Very compact design with enormous power. Thanks to the efficient sound insulation it is very quiet, can be installed in all orientations and is indestructible even under extreme conditions and in continuous operation.

High Pressure Blower

ROBUST

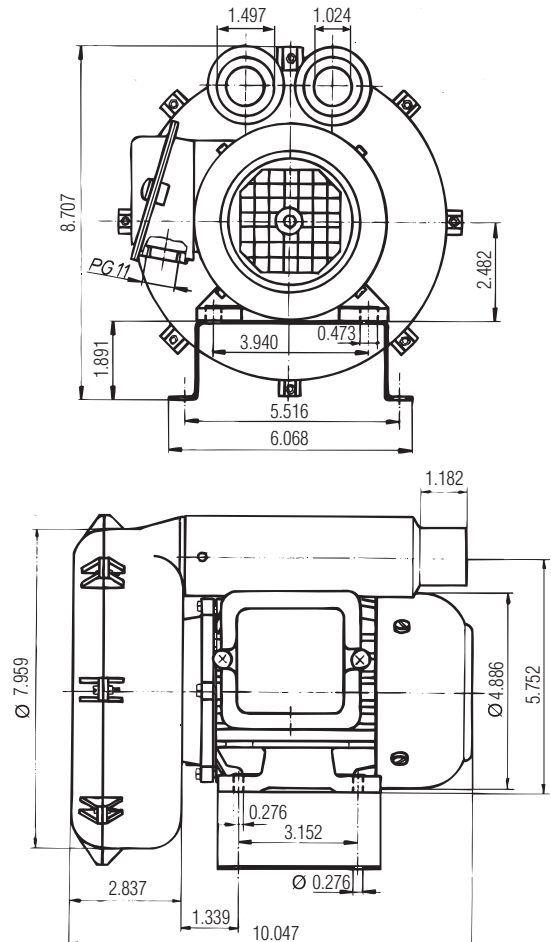


Technical Data ROBUST

Design regenerative blower

		50	60
Frequency	Hz	50	60
Air flow (68 °F)	cfm	42	46
Static pressure	psi	1.16	1.52
Max. ambient temperature	°F	140	140
Noise emission level	LpA (dB)	62	62
Environmental protection (IEC 60529)		IP 54	IP 54
Outside diameter air inlet	inch	∅ 1.5	∅ 1.5
Outside diameter air outlet	inch	∅ 1.5	∅ 1.5
Weight	lb	17.6	17.6
Mark of conformity		CE	CE
Protection classe I		⊕	⊕

Installation Dimensions in inch



Voltage	V~	50Hz	1 × 120	1 × 230	3 × 230 / 400	3 × 500
		60Hz			3 × 440 – 480	
Power consumption	W		250	250	250	250
Without cable	Order no.		103.434		103.429	103.435
3 m cable / Euro plug	Order no.			103.432		

Additional versions on request

