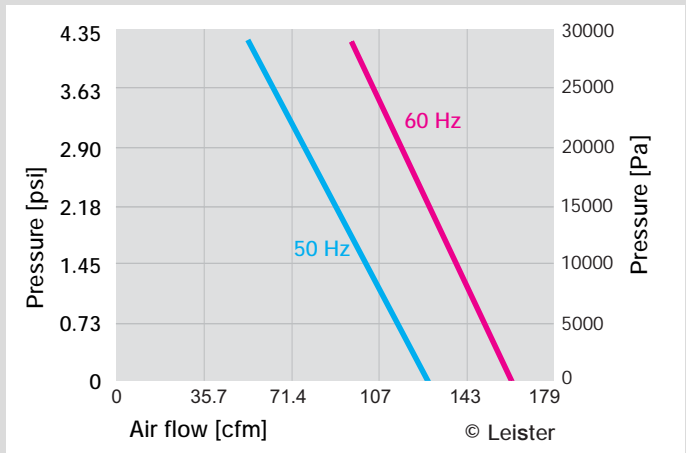


# AIRPACK: The Full Pressure Provider.

If high air pressure is required, AIRPACK is the only answer. It is deployable everywhere large volumes of air are transported under high pressure. Its power means it can supply several LEISTER air heaters in parallel. AIRPACK delivers sufficient pressure to efficiently supply Leister blow-off nozzles.

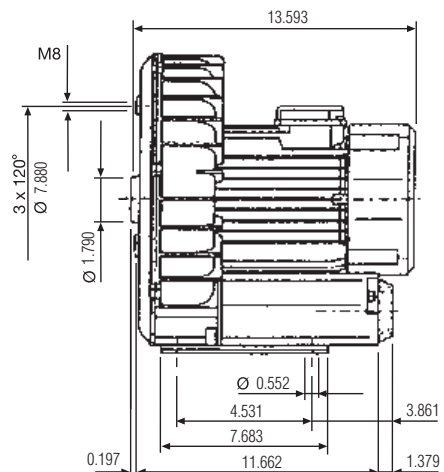
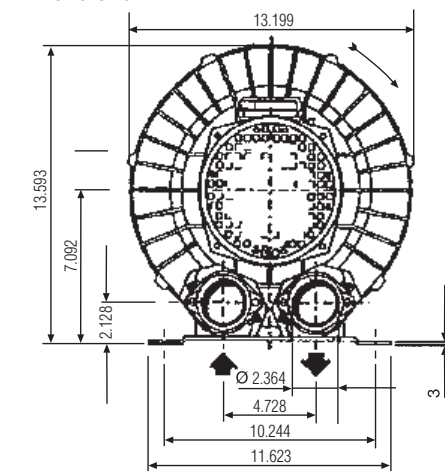
## High Pressure Blower

### AIRPACK



Technical Data AIRPACK			
Design regenerative blower			
Frequency	Hz	50	60
Air flow (68 °F)	cfm	125	161
Static pressure	psi	4.21	4.21
Ambient temperature	°C	< 40	< 40
Noise emission level	LpA (dB)	73	73
Environmental protection (IEC 60529)		IP 54	IP 54
Outside diameter air inlet	mm	∅ 60	∅ 60
Outside diameter air outlet	mm	∅ 60	∅ 60
Weight	kg	25.0	25.0
Mark of conformity		CE	CE
Approval mark		Ⓢ	Ⓢ
Protection classe I		Ⓢ	Ⓢ

### Installation Dimensions in mm





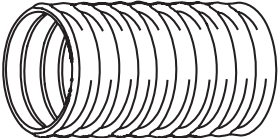

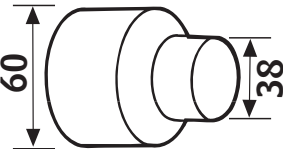
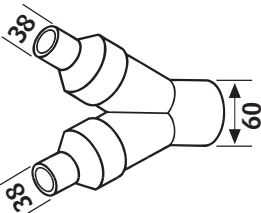
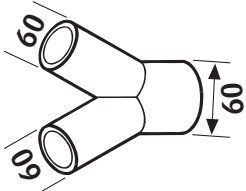
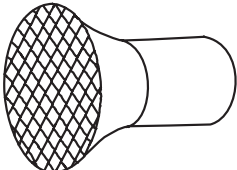
Voltage	V~	50Hz	1 x 120 x 230	3 x 230 / 400	3 x 500
		60Hz		3 x 440 - 480	
Power consumption	W		250	250	250
<b>Without cable</b>	Order no.		103.434	103.429	103.435
<b>3 m cable / Euro plug</b>	Order no.		103.432		

Voltage	V~	50Hz	3 x 230 / 400
		60Hz	3 x 440 - 480
Power consumption	W		2200
<b>Without cable</b>	Order no.		119.358

Additional versions on request

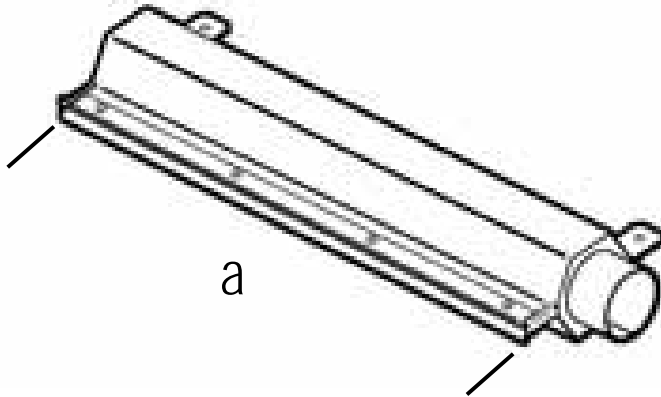
# Accessories High Pressure Plower AIRPACK

(Ø 2.36 inch)

107.287		Hose clip for Ø 1.50 inch and Ø 2.36 inch air hose
107.241		Closing cap Ø 1.50 inch push-fit on hose connection adaptors 107.292 and 107.293
107.288		PVC air hose, Ø 2.36 inch
107.240		Closing cap Ø 2.36 inch, push-fit on hose connection adaptors 107.278
107.291		Hose connection adaptor with 1 air outlet for Ø 1.50 inch hose. Push-fit on air outlet
107.292		Hose connection adaptor with 2 air outlets for Ø 1.50 inch hose. Push-fit on air outlet
107.278		Hose connection adaptor, Push-fit on air outlet
110.895		Stainless steel filter push-fit on air intaker

# Blow-off nozzles

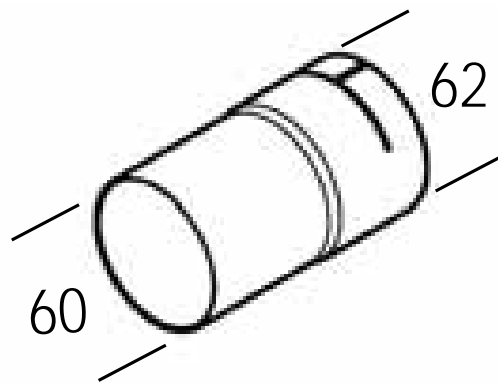
125.907  
125.908



Blow-off nozzle, push-fit  
Outlet opening adjustable  
0.04 – 0.22 inch  
a = 11.8 inch  
a = 19.7 inch  
Connector  $\varnothing$  2.36 inch

> **AIRPACK**

127.062



Nozzle adapter  $\varnothing$  2.44 to  $\varnothing$  2.36 inch,  
Length 4.33 inch, to connect with  
blow-off nozzle

> **LHS 60S**