

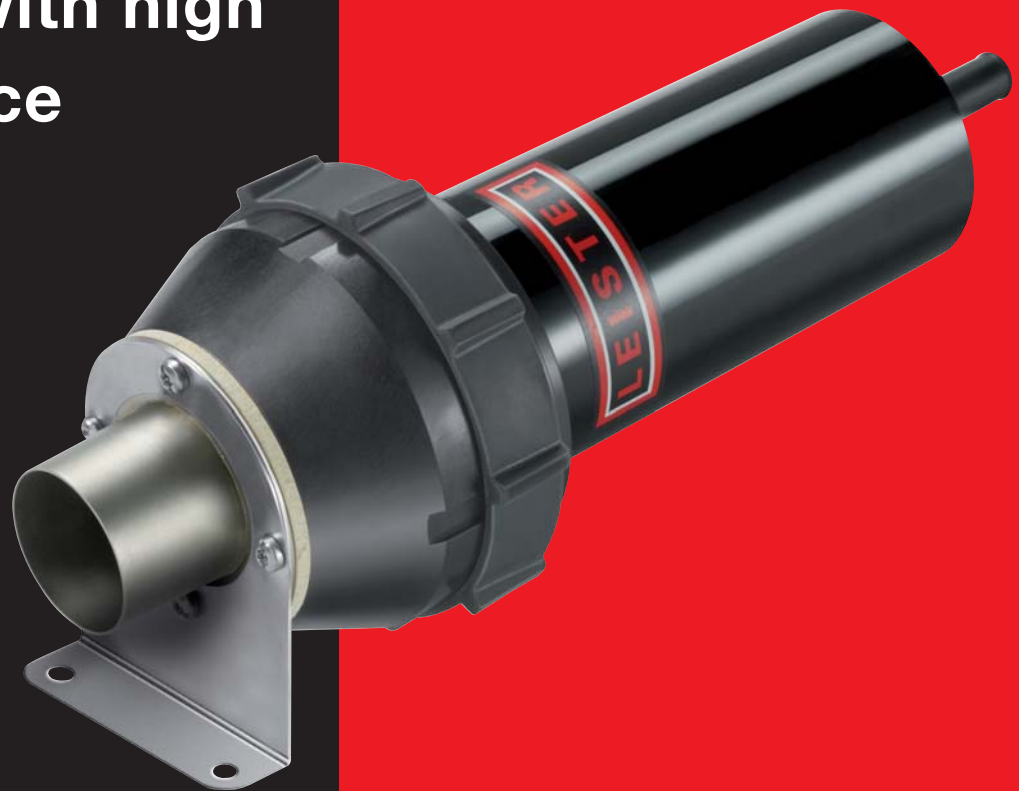
LEISTER

PROCESS HEAT

NEW

**High Pressure Blower
MONO**

**Compact with high
performance**





LHS 40S and MONO



2 x LHS 40S and MONO

High Pressure Blower MONO

- Compact with small dimensions
- Air volume 900 l/min
- Static pressure 5000 Pa (50mbar)
- Maintenance-free, brushless motor for continuous operation
- Perfectly suited for air supply of Leister air heaters
- Integrated overheating protection
- Versatile assortment of accessories
- Simple mounting
- The bracket can be disassembled for tight spaces

Combination possibilities

- Leister air heater at maximum heat power and without nozzle with Leister high pressure blower MONO at 50 Hz, 1.5 m hose length and unimpeded air outflow.
- Hot-air temperature 3 mm after air outlet, measured at the hottest point.
- Air flow in NI/min = standard litres / min compliant with DIN 1343.

Air heater Type	Number air heater x Power consumption kW	Air flow NI/min	Temperature °C
LHS 20S	1 x 1.0	1 x 545	176
LHS 20S	2 x 1.0	2 x 341	236
LHS 20S	4 x 1.0	4 x 200	400
LHS 20S	1 x 2.0	1 x 525	333
LHS 20S	2 x 2.0	2 x 353	450
LHS 20L	1 x 3.3	1 x 426	609
LHS 40S	1 x 2.0	1 x 750	250
LHS 40S	2 x 2.0	2 x 403	384
LHS 40S	4 x 2.0	4 x 203	609
LHS 40S	1 x 4.0	1 x 665	468
LHS 60S	1 x 4.0	1 x 702	413
LHS 60S	1 x 6.0	1 x 712	563
LHS 60L	1 x 5.0	1 x 750	483

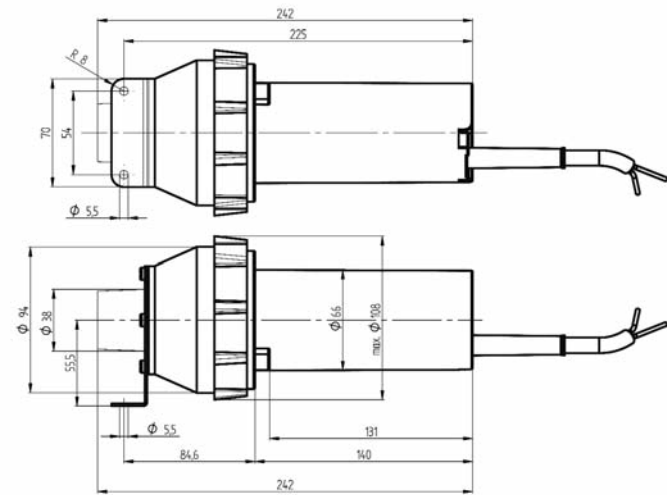
Air flow and temperature specifications may deviate from ideal values due to modification of the hot-air system (nozzles, hose length, etc.).

Technical data

Frequency	Hz	50 / 60
Air flow (20°C)	l/min	900
Static pressure	Pa	5000
Mains switch		•
Device production		•
Ambient temperature	°C	< 60
Outside diameter air outlet	mm	∅ 38
Weight with 3 m cable	kg	1.2
Mark of conformity		CE
Protection classe II		□

Voltage	V~	230
Power consumption	W	230
Plug		Euro
Order no.		132.869

Installation dimensions in mm



Mono/GER/02.2008/Artikel Nr. 117.736

© Copyright by Leister



Headquarters:

Leister Process Technologies
Galileostrasse 10
6056 Kaegiswil/Switzerland

phone: +41 41 662 74 74
fax: +41 41 662 74 16
leister@leister.com

www.leister.com